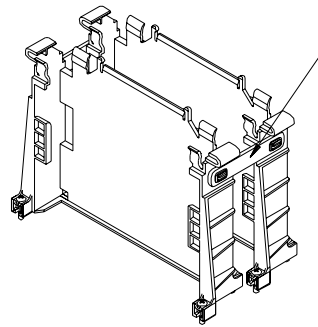
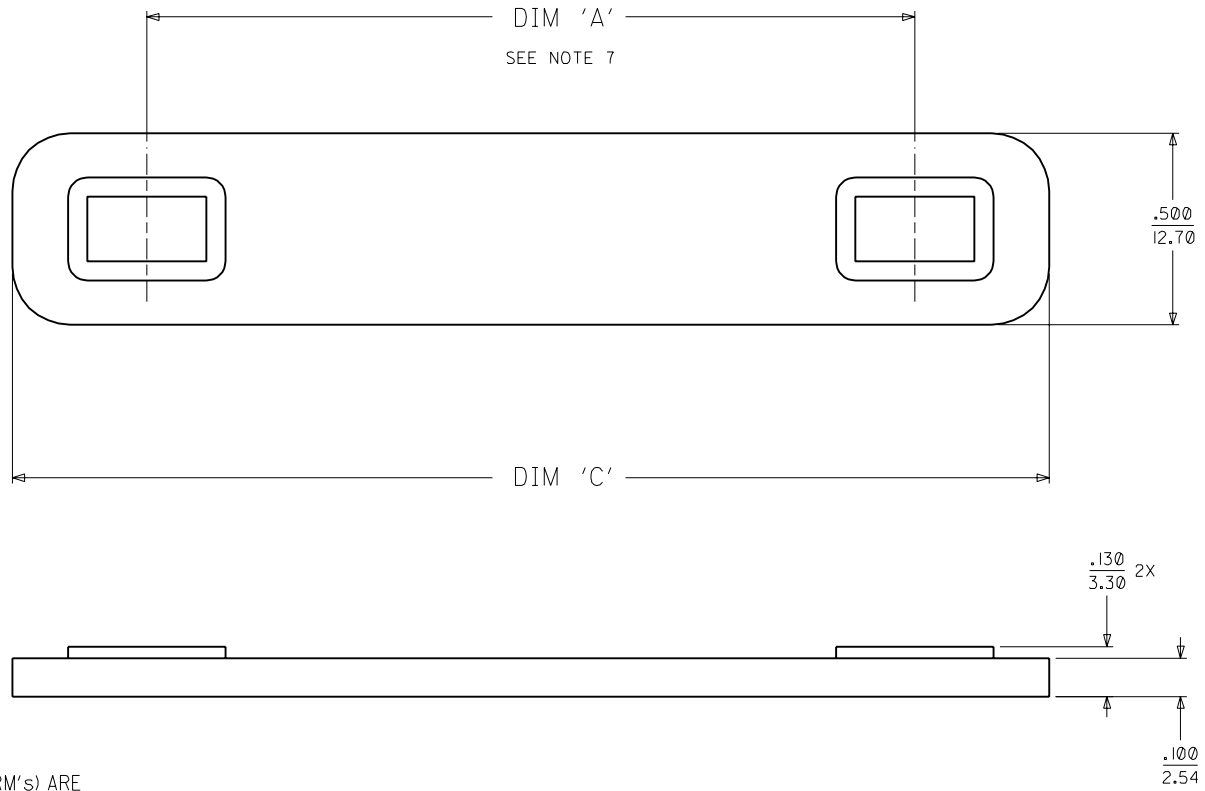
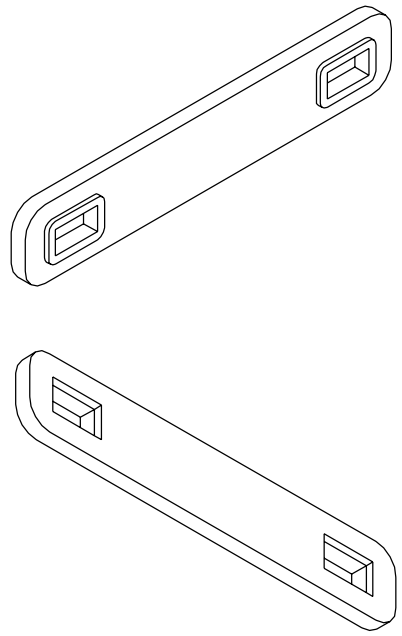


NOTES:

1. MATERIAL: THERMOPLASTIC
COLOR: BLACK
2. FINISH: NONE
3. PRODUCT SPECIFICATION: PS-73940-999
4. APPLICATION SPECIFICATION: AS-73940-997
5. THIS LINK IS FOR USE WITH MOLEX SRM BASE AND MOLEX SLOT 2 CONNECTOR.
6. LATCHES ARE BULK PACKED.
7. DIM 'A' IS EQUIVALENT TO THE CENTERLINE SPACING OF THE SLOT 2 CONNECTORS.

MATERIAL NUMBER	DIM 'A'	DIM 'C'
73974-0001	2.000	2.700
73974-0002	2.500	3.200
73974-0003	3.000	3.700
73974-0004	3.200	3.900



SINGLE RETENTION MECHANISMS (SRM's) ARE LINKED TOGETHER FOR ADDED STABILITY. LINKS ARE AVAILABLE FOR SEVERAL CENTERLINE SPACINGS. TWO LINKS ARE REQUIRED FOR EACH PAIR OF RETENTION MECHANISMS.

INITIAL RELEASE EC NO. UDT 1998-0325 DRWN: LAURX 98/06/02 CHK: LAURX 98/06/02 APPR: NELSON 98/06/05	QUALITY SYMBOLS MAJOR = ⑤ CRITICAL = ④	GENERAL TOLERANCES: (UNLESS SPECIFIED) mm INCH		SCALE 4 : 1 <input type="checkbox"/> mm <input checked="" type="checkbox"/> INCH	DESIGN UNITS <input checked="" type="checkbox"/> mm <input type="checkbox"/> INCH	DIMENSIONS: <input type="checkbox"/> mm <input checked="" type="checkbox"/> INCH <input type="checkbox"/> mm ONLY	SHT REV		
		DRAWN BY & DATE LAURX 98/06/02		CHECKED BY & DATE LAURX 98/06/02		TITLE: SLOT 2 SRM SUPPORT LINK SALES DRAWING			
		APPROVED BY & DATE NELSON 98/06/05		CAD FILENAME S7397402.DGN		MATERIAL NO. SEE CHART		DRAWING NO. SD-73974-002	
		DRAFT WHERE APPLICABLE MUST REMAIN WITHIN DIMENSIONS		ANGULAR: ± 1 °		MOLEX INCORPORATED		SHEET NO. 1 OF 1	
THIS DRAWING CONTAINS INFORMATION THAT IS PROPRIETARY TO MOLEX INCORPORATED AND SHOULD NOT BE USED WITHOUT WRITTEN PERMISSION.				SIZE C					